

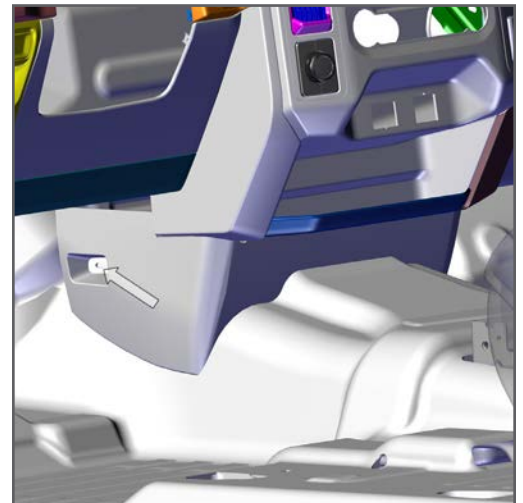
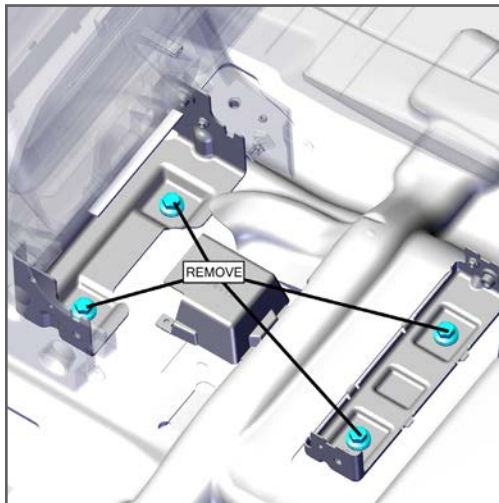
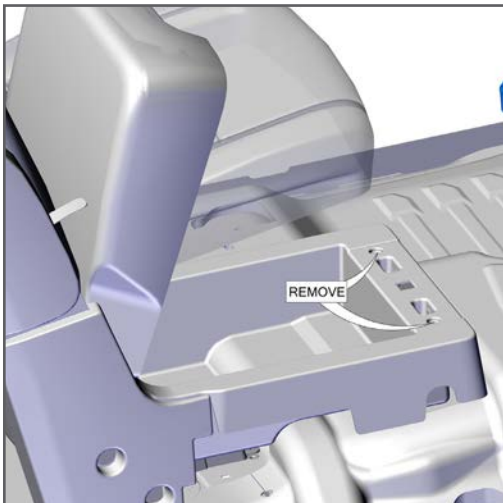


VERTICAL DASH MOUNT CONTOUR CONSOLE

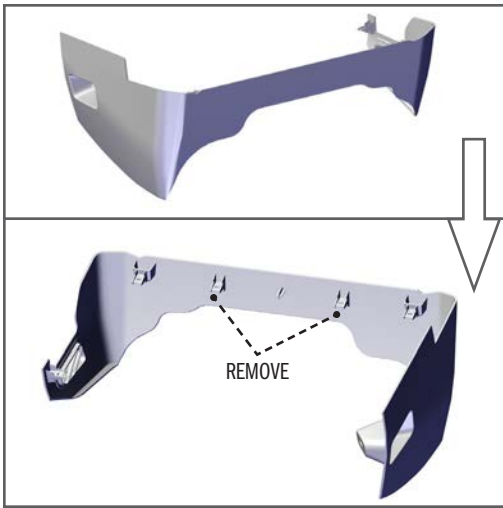
FORD F-150 SSV/PR (2021+) / F-250-550 (2023+)

Installation Instructions

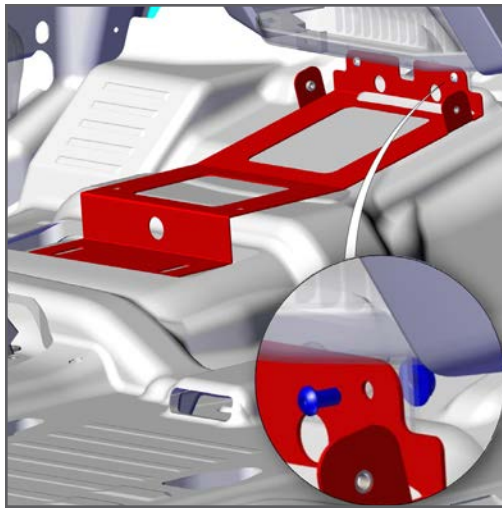
425-6708



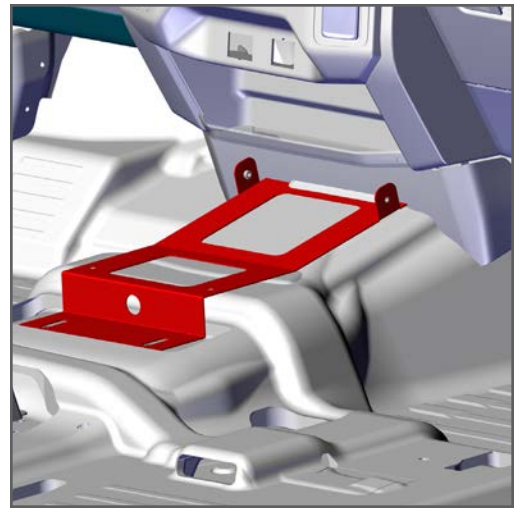
1. Lift out and set aside the middle seat lower plastic storage compartment by removing the (2) OEM T-20 screws.
2. Remove the (4) 18 mm OEM bolts and tilt the center seat back.
3. Locate and remove the 7 mm OEM screw on the lower driver's side center trim panel. Rotate the trim over the transmission hump to the pop loose the clip on the passenger side.



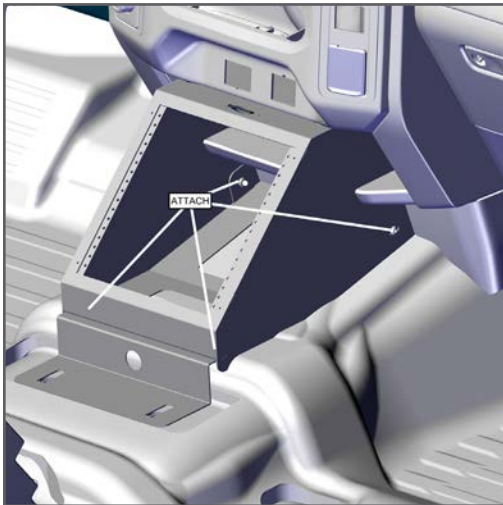
4. Take the lower trim and cut off the (2) inside clips flush with the mounting surface.



5. Attach the Floor Plate to the front of the lower dash structure. Secure through the horizontal slots with provided (2)- 1/2-20 button head cap screws and flange nuts.

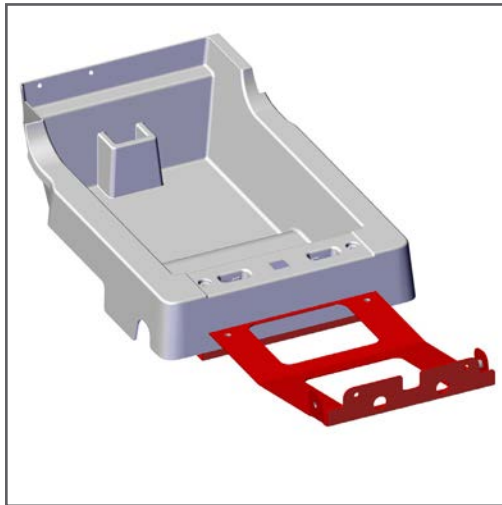


6. Replace and secure previously removed lower trim with OEM hardware.



7. Slide the Console up to the dash aligning the left, right, and inside front mounting holes to the Floor Plate. Secure with provided (4) 1/4-20 socket head cap screws.

REPLACE CENTER SEAT AS IT WAS REMOVED AT THIS TIME



SOME TRIMMING MAY BE REQUIRED TO REINSTALL THE LOWER PLASTIC STORAGE COMPARTMENT.

8. Insert the storage compartment back into position. Determine how much material needs to be trimmed to clear the Floor Plate and reattach the compartment into position with previously removed OEM hardware.

If you have questions or need further assistance please call Technical Support: 1.877.455.6886



209 W. EASY ST., ROGERS, AR 72756 • JOTTOPUBLICSAFETY.COM • 11/23

Jotto Desk™ is a patented product and Registered Trademark of Assembled Products™ Corporation.
Specifications subject to change without notice.